

THT Power Transformer

ER Series – Horizontal

 **FEATURES**

- High power density and high efficiency
- Multiple-output is available
- Operating frequency up to 500kHz
- Power up to 3kW
- Custom designs available


 **APPLICATIONS**

- Solar inverter, Server, Amplifier
- Network, POE, Router
- Elevator emergency power supply
- Medical instrument power supply
- Variable-frequency drive
- Industrial power supply
- High end LED power supply
- High end charger and USB
- Smart home electronics
- Electrical power equipment
- Test instrument

 **SPECIFICATIONS**

Size	Fig.	A (Max.)	B (Max.)	C (Max.)	D (Nom.)	E (Nom.)	F (Nom.)	Pins (Optional)	fsw (kHz)	Power (W) ²
ERH28	1	31.0	31.0	26.0	5.0	25.0	Φ0.8	6+6	100	40-60
ERH28-1	2	34.0	36.0	25.0	4.0	26.5	Φ0.8	9+9	100	40-60
ERH28-2	3	30.0	35.0	25.0	Fig.3	Fig.3	Φ0.5	13+11	100	40-60
ERH28L	1	32.0	39.0	28.0	5.0	30.0	Φ0.8	6+6	100	40-80
ERH34	4	44.0	37.5	25.5	2.5	25.5	Φ0.8	16+16	100	80-150
ERH35	5	42.0	45.0	33.0	5.0	35.0	Φ1.0	8+8	100	200-400
ERH40	5	42.0	48.0	33.0	5.0	35.2	Φ1.0	8+8	100	400-800
ERH42	5	44.5	46.0	36.0	5.0	35.0	Φ1.0	8+8	100	800-1500
ERH42-2	6	44.0	46.0	39.0	5.0	34.5	Φ1.0	7+7	100	1000-3000

1. Operating Temperature: -40°C~+125°C(Includes temperature when the coil is heated).

2. Output power is only for reference at switching frequency 100kHz.

THT Power Transformer
ER Series – Horizontal

MECHANICAL

Fig.1

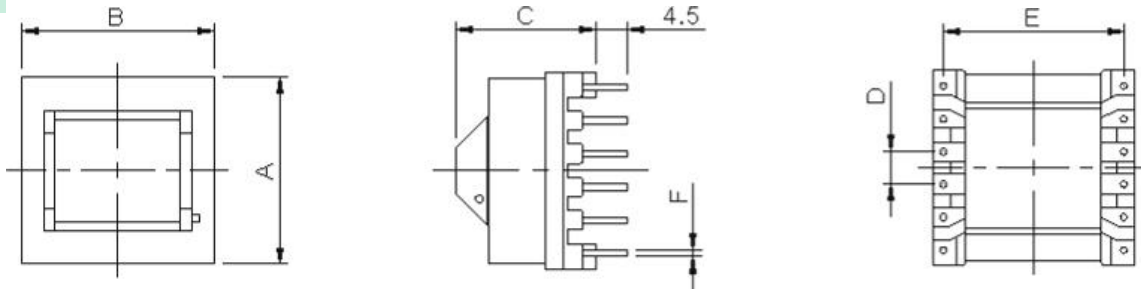


Fig.2

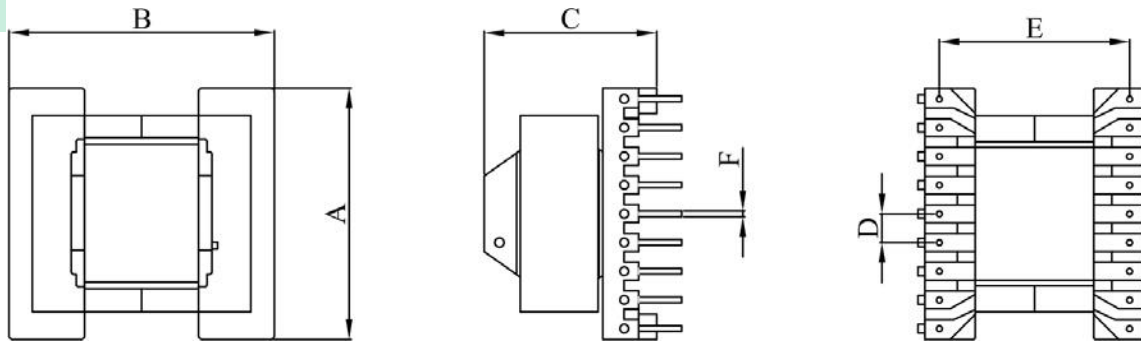


Fig.3

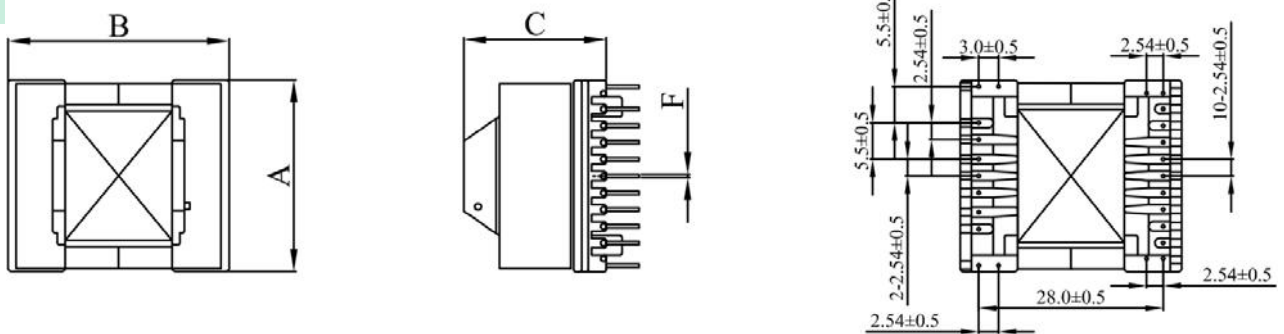
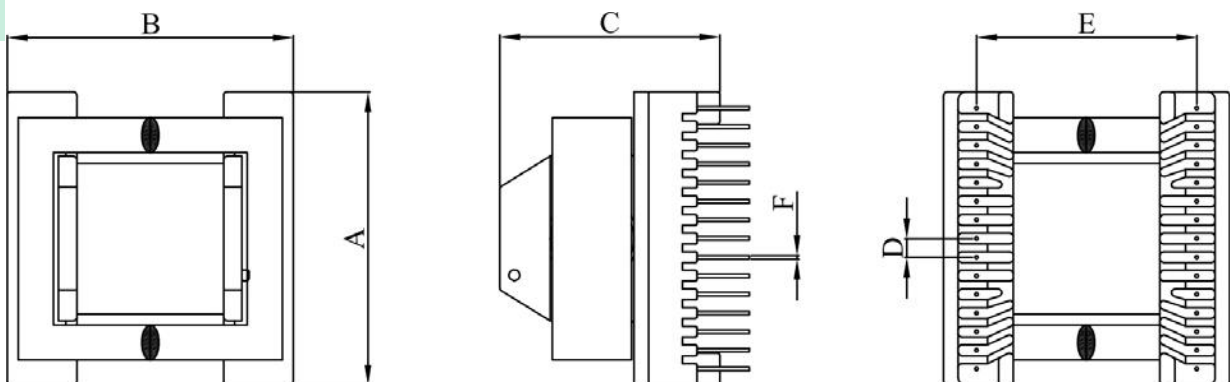


Fig.4



THT Power Transformer

ER Series – Horizontal

MECHANICAL

Fig.5

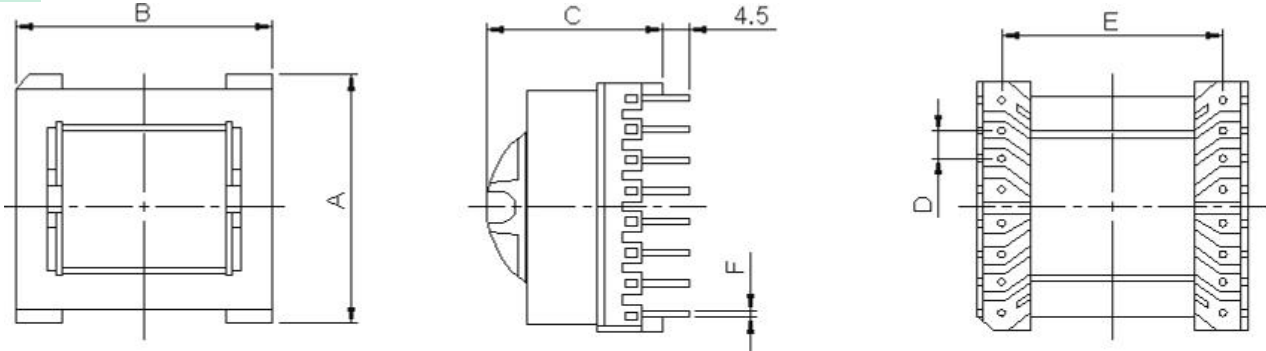


Fig.6

